

PRODUCT CODE: PLR20B
PVC LOCKRING



DESCRIPTION

20mm PVC Lockring

FINISH

Black

MATERIAL

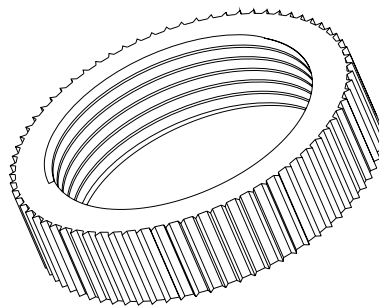
PVC

PACKAGING

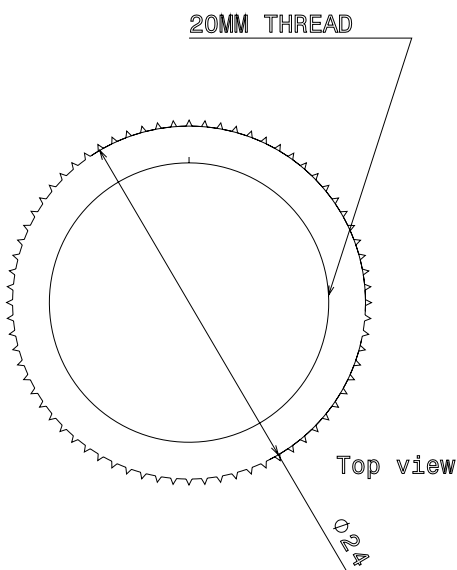
Packed in qty 100

ADDITIONAL NOTES

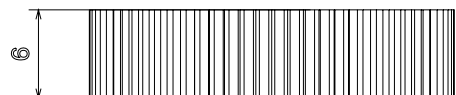
Manufactured to BS4607 part 1



Isometric view



Top view



Side view